

# Air Conditioning

## Product Information

### PLFY-P100VBM-E : INDOOR UNIT

4-Way Blow Ceiling Cassette



Power cassettes offer 72 different airflow patterns, with the ability to handle a multitude of ceiling applications up to 4.2 metres in height. The easy to install, slim unit is ideal for maintaining constant temperatures, thanks to adjustable vanes that allow users to precisely direct air where it's needed.

The Mitsubishi Electric airflow control mechanism uses wider vanes so that the unit reduces drafts and smudging, whilst a high performance drain pump on the drain lift mechanism allows drain water to be lifted up to 850mm from the ceiling surface.

## FEATURES



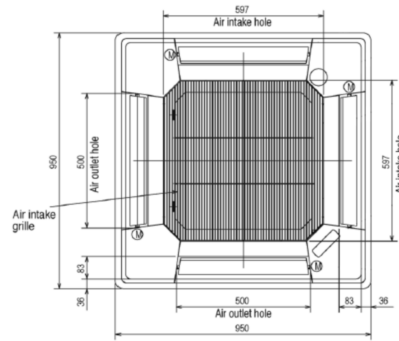
### INDOOR

Heating Capacity (kW) (nominal)	12.5
Cooling Capacity (kW) (nominal)	11.2
High Performance Heating Capacity (kW) (UK)	12.5
COP Priority Heating Capacity (kW) (UK)	11.7
Cooling Capacity (kW) (UK)	10.6
Cooling Capacity (Hi-Sens Mode) (kW) (UK)	8.1
SHF (UK)	0.72
SHF (Hi-Sens Mode) (UK)	0.79
Heating Power Input (kW) (nominal)	0.14
Cooling Power Input (kW) (nominal)	0.15
Airflow (m <sup>3</sup> /min) - Lo-Mi1-Mi2-Hi	21 - 24 - 27 - 29
Sound Pressure Level (dBA) - Lo-Mi1-Mi2-Hi	34 - 37 - 39 - 41
Weight (kg) (Grille)	27 (6)
Dimensions (mm) Width (Grille)	840 (950)
Dimensions (mm) Depth (Grille)	840 (950)
Dimensions (mm) Height (Grille)	298 (35)
Electrical Supply	220-240V, 50HZ
Phase	SINGLE
Running Current (A) - Heating / Cooling	0.94 / 1
Fuse Rating (BS88) - HRC (A)	6
Mains Cable No. Cores	3
Grille Model Reference	PLP-6BA

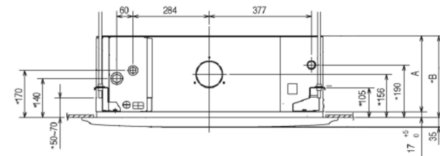
### DIMENSIONS

PLFY-P100VBM-E

#### Lower View >



#### Side View >



MODELS	A	B
PLFY-P32-80VBM-E	241	258
PLFY-P100-125VBM-E	281	298